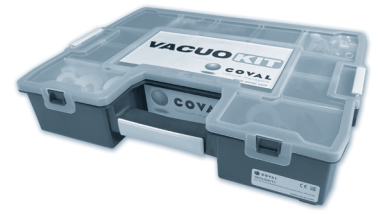


VACUOKIT

COVAL Test case

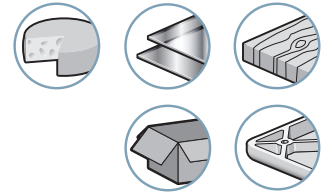


VACUOKIT 1

COVAL offers the "Standard" test case, part number: **VACUOKIT 1**, for carrying out gripping tests on all types of materials and objects.

Part No: **VACUOKIT1**

Industry-specific applications

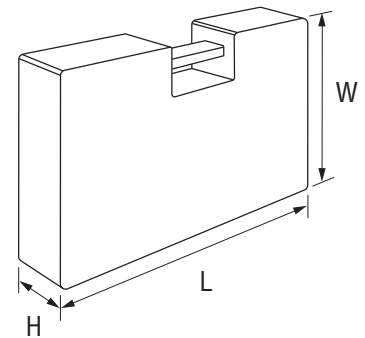


Composition

- An assortment of 60 suction cups (different materials, shapes and diameters)
- A fitting ejector, Part No: VR07TEST equipped with a vacuum switch with display to visualize the vacuum level
- A GVR14 fitting ejector
- A set of fittings
- A vacuum handling guide

Dimensions

- Test case dimensions: L x W x H = 440 x 335 x 90 mm
- Weight: 2,3 kg

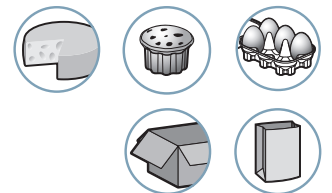


VACUOKIT 3

COVAL offers the "Food Industry" test case, Part No: **VACUOKIT 3**, equipped with silicone suction cups for their great flexibility and their application in the food industry.

Part No: **VACUOKIT3**

Industry-specific applications



Composition

- An assortment of 60 silicone suction cups (different shapes and diameters)
- A fitting ejector, Part No: VR07TEST equipped with a vacuum switch with display to visualize the vacuum level
- An Easy Clean Vacuum Pump, Part No: GVEC15T18
- A set of fittings
- A vacuum handling guide

Dimensions

- Test case dimensions: L x W x H = 440 x 335 x 90 mm
- Weight: 2 kg

